

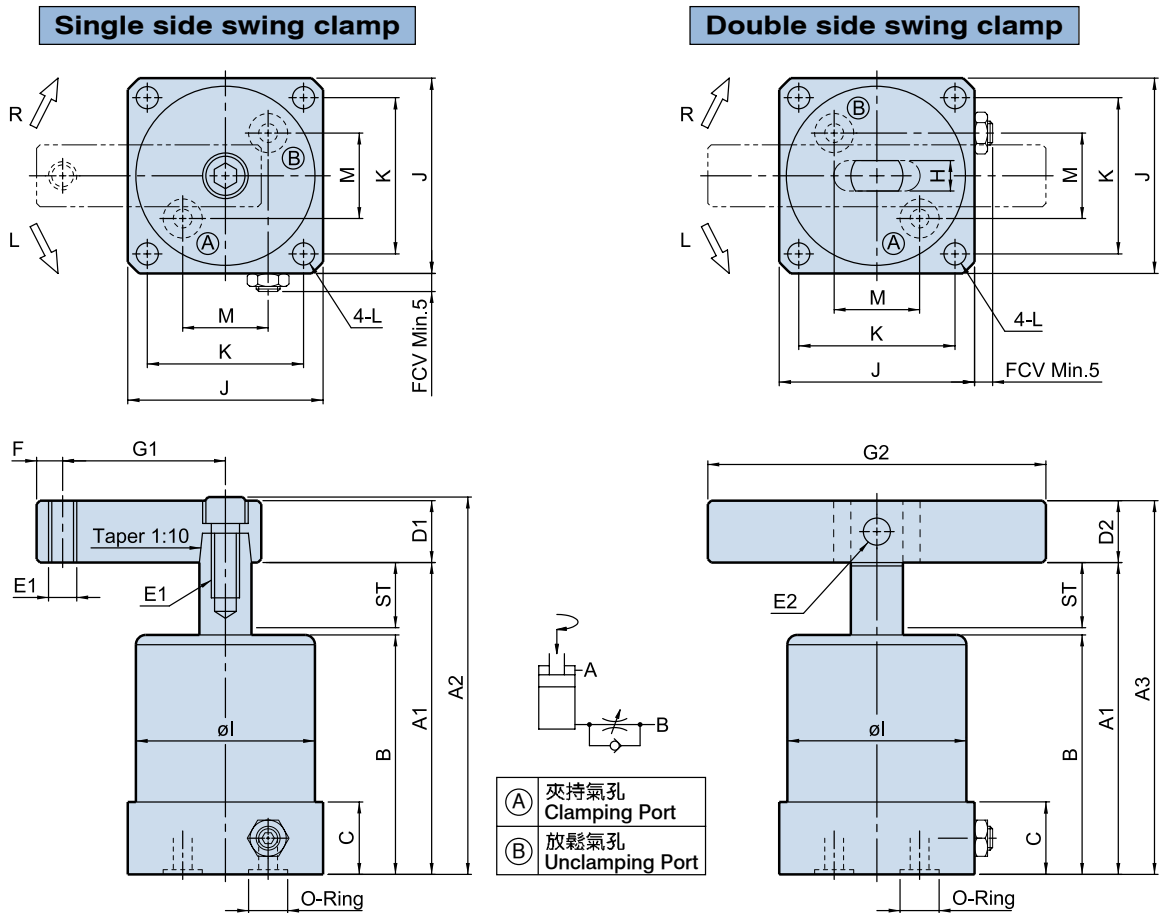
# ASC 空壓轉角缸 MF 深孔型附調速

Manifold with flow control



## Air Swing Clamp Cylinder MF

• Bore:  $\phi 32\text{-}\phi 63\text{mm}$  • Pmax:  $10\text{kg/cm}^2$



### Dimensional table

UNIT:mm

ITEM	MODEL	ASC-MF32	ASC-MF40	ASC-MF50	ASC-MF63
ST:Swing/Clamping		26:9/17	26:9/17	30:11/19	30:11/19
A1		108	108	124	124
A2		(128)	(128)	(150.4)	(150.4)
A3		127	127	146.2	146.2
B		78	78	90	90
C		22	22	25	25
D1		$\square 19$	$\square 19$	$\square 25.4$	$\square 25.4$
D2		$\square 19$	$\square 19$	$\square 22.2$	$\square 22.2$
E1		M8 x 1.25	M8 x 1.25	M10 x 1.5	M10 x 1.5
E2		$\phi 8$	$\phi 8$	$\phi 8$	$\phi 8$
F		8	8	10	10
G1		50	55	60	70
G2		140	140	160	160
H		9	9	10	10
$\phi 1$		$\phi 46$	$\phi 55$	$\phi 65$	$\phi 78$
J		50	60	70	83
K		40	48	57	67
L		$\phi 5.6$	$\phi 6.8$	$\phi 6.8$	$\phi 9$
M		19	23	28	32
O-Ring		P7	P7	P9	P9