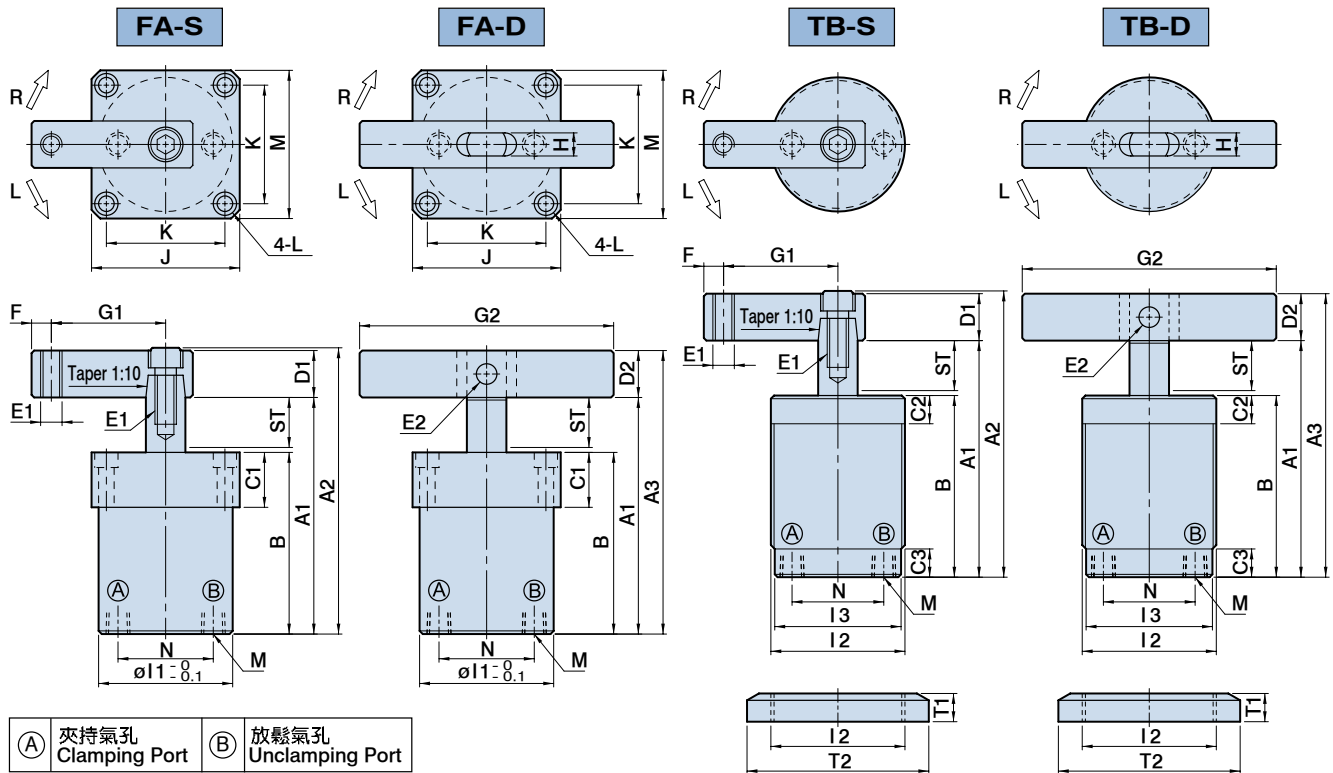


# ASC 空壓轉角缸 FA法蘭型/TB全牙型 Flange type / Threaded body



## Air Swing Clamp Cylinder FA.TB

• Bore:  $\phi 32$ - $\phi 63$ mm • Pmax: 10kg/cm<sup>2</sup>



### Dimensional table

UNIT:mm

MODEL	ASC-FA32 ASC-TB32	ASC-FA40 ASC-TB40	ASC-FA50 ASC-TB50	ASC-FA63
ITEM				
ST:Swing/Clamping	26:9/17	26:9/17	30:11/19	30:11/19
A1	108	108	124	124
A2	(128)	(128)	(150.4)	(150.4)
A3	127	127	146.2	146.2
B	78	78	90	90
C1	22	22	25	25
C2 / C3	10 / 9	10 / 9	12 / 11	—
D1	$\square 19$	$\square 19$	$\square 25.4$	$\square 25.4$
D2	$\square 19$	$\square 19$	$\square 22.2$	$\square 22.2$
E1	M8x1.25	M8x1.25	M10x1.5	M10x1.5
E2	$\phi 8$	$\phi 8$	$\phi 8$	$\phi 8$
F	8	8	10	10
G1	50	55	60	70
G2	140	140	160	160
H	9	9	10	10
$\phi 11$	$\phi 46$	$\phi 55$	$\phi 65$	$\phi 78$
I2 / I3	M50x1.5 / $\phi 48$	M55x1.5 / $\phi 53$	M65x1.5 / $\phi 63$	—
J	50	60	70	83
K	40	48	57	67
L	$\phi 5.6$ - $\phi 9$ x5.5D.	$\phi 6.8$ - $\phi 10.5$ x6.5D.	$\phi 6.8$ - $\phi 10.5$ x6.5D.	$\phi 9$ - $\phi 14$ x9D.
M	PT1/8	PT1/8	PT1/8	PT1/8
N	32	40	50	63
T1x2PCS	11	11	12	—
T2	$\phi 70$	$\phi 75$	$\phi 85$	—