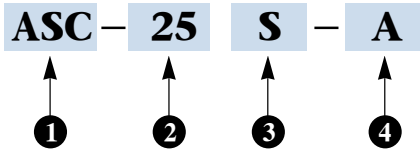


ARM 夾具缸壓板



Clamp Cylinder Clamping Arm

訂購標示法 Order Code



①	系列別 Series	ASC. HSC. HPS	
②	缸體內徑 Bore of cylinder	ø25. ø32. ø40. ø50. ø63	
③	壓板型式 Clamping arm type	S	單邊 Single-side clamping arm
		D	雙邊 Double-side clamping arm
④	壓板前端區分 Clamping arm front	A	標準型攻牙 Standard type with thread
		B	標準型無牙 Standard type without thread
		C	加長型無牙 Extension type without thread

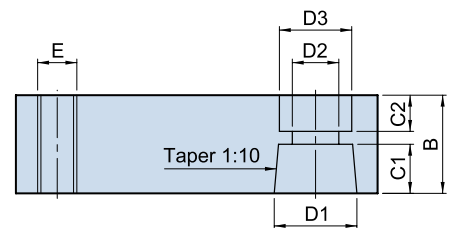
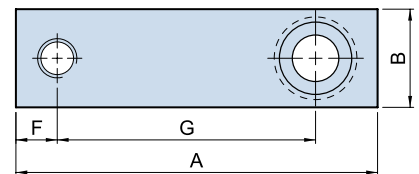
ASC 空壓轉角缸單邊壓板

ASC Air swing clamp cylinder-single side clamping arm

Dimensional table

UNIT:mm

MODEL ITEM	ASC-25	ASC-32	ASC-40	ASC-50	ASC-63	
A	A 標準型攻牙 Standard with thread	50	70	75	85	95
	B 標準型無牙 Standard without thread	50	75	75	95	95
	C 加長型無牙 Extension	70	100	100	130	130
B	□15.9	□19	□19	□25.4	□25.4	
C1	8.5	9.5	9.5	12.5	12.5	
C2	5	7	7	9	9	
D1	ø14	ø16	ø16	ø20	ø20	
D2	ø6.8	ø9	ø9	ø11	ø11	
D3	ø11	ø14	ø14	ø17	ø17	
E	M6 x 1.0	M8 x 1.25	M8 x 1.25	M10 x 1.5	M10 x 1.5	
F	6	8	8	10	10	
G	35	50	55	60	70	



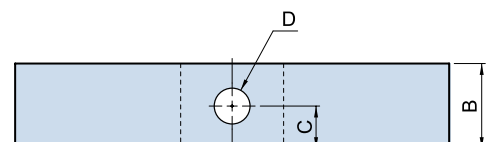
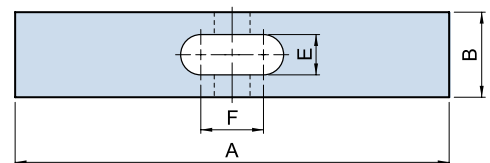
ASC.HSC 空油壓轉角缸雙邊壓板

ASC.HSC Air/hydraulic swing clamp cylinder-double side clamping arm

Dimensional table

UNIT:mm

MODEL ITEM	ASC-32 ASC-40 HSC-25	ASC-50 ASC-63 HSC-32	HSC-40	HSC-50	HSC-63	
A	B 標準型 Standard type	140	160	160	180	200
	C 加長型 Extension type	200	230	230	260	—
B	□19	□22.2	□22.2	□25.4	□31.8	
C	9.5	11.1	11.1	12.7	15.9	
D	ø8	ø8	ø10	ø12	ø15	
E	9	10	10	12	15	
F	16	19	21	26	33	



ARM 夾具缸壓板



Clamp Cylinder Clamping Arm

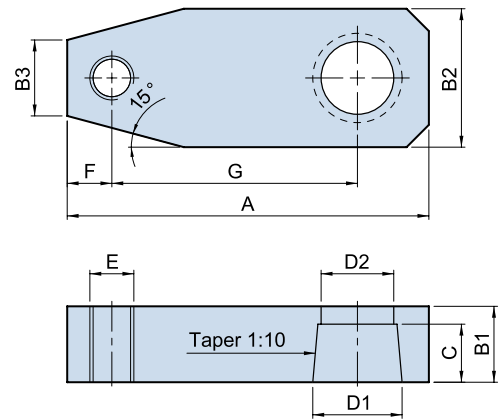
HSC 油壓轉角缸單邊壓板

HSC Hydraulic swing clamp cylinder single-side clamping arm

Dimensional table

UNIT:mm

ITEM	MODEL	HSC-25	HSC-32	HSC-40	HSC-50	HSC-63
A	A 標準型攻牙 Standard with thread	74	81	86	96	114
	B 標準型無牙 Standard without thread	74	81	86	96	114
	C 加長型無牙 Extension	100	110	120	130	150
	B1	15	17	18	20	23
	B2	27	31	31	37	48
	B3	15	17	17	19	24
	C	13	14	15	16	18
	D1	ø18	ø20	ø22.4	ø28	ø35
	D2	ø15	ø17	ø19	ø21	ø27
	E	M10 x 1.5	M10 x 1.5	M10 x 1.5	M12 x 1.75	M16 x 2.0
	F	10	10	10	12	15
	G	50	55	60	65	75



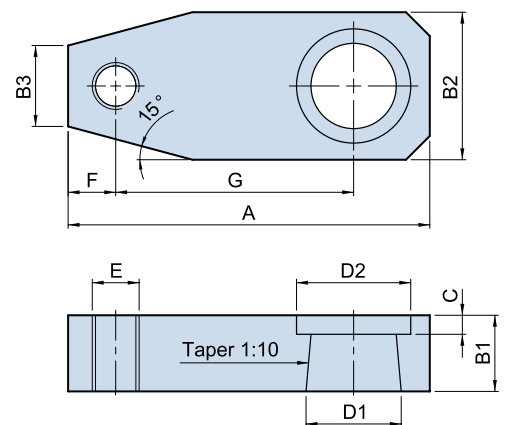
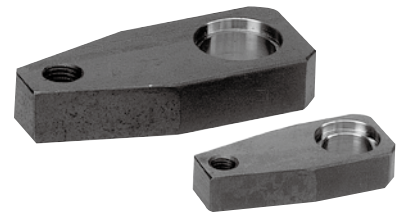
HPS 高壓轉角缸單邊壓板

HPS High pressure swing clamp cylinder-single side clamping arm

Dimensional table

UNIT:mm

ITEM	MODEL	HPS-25	HPS-32	HPS-40	HPS-50	HPS-63
A	A 標準型攻牙 Standard with thread	76	96	114	140	177
	B1	16	20	23	28	34
	B2	31	37	48	60	78
	B3	16	19	24	30	40
	C	3.5	4	4	5	6
	D1	ø20	ø25	ø32	ø40	ø50
	D2	ø24	ø29	ø36	ø46	ø55
	E	M10 x 1.5	M12 x 1.75	M16 x 2.0	M16 x 2.0	M20 x 2.5
	F	10	12	15	15	18
	G	50	65	75	95	120

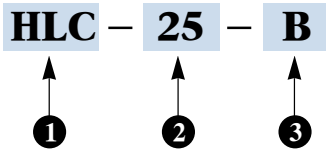


ARM 夾具缸壓板



Clamp Cylinder Clamping Arm

訂購標示法 Order Code



①	系列別 Series	ALC. HLC	
②	缸體內徑 Bore of cylinder	ø25. ø32. ø40. ø50. ø63	
③	壓板前端區分 Clamping arm front	A	標準型 Standard type
		B	標準型 Standard type
		C	加長型 Extension type

註: B標準型與C加長型壓板前端B2與15°未加工

Note: The B2 and 15° at the front end of arm on standard model(B) and extra long model(C) are not machined.

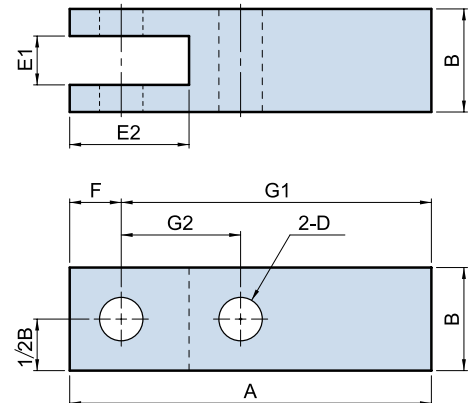
ALC 槓桿式空壓缸壓板 ALC Air lever-type cylinder clamping arm



Dimensional table

UNIT:mm

MODEL		ALC-25	ALC-32	ALC-40	ALC-50	ALC-63
A	B 標準型 Standard type	50	60	65	75	85
	B	□12.7	□15.9	□15.9	□19	□22.2
	D	ø5	ø6	ø6	ø8	ø8
	E1	6	8	8	10	10
	E2	13	16	17	21	22.5
	F	5	6	7	9	9
	G1	45	54	58	66	76
	G2	14	17	20	23	29.5



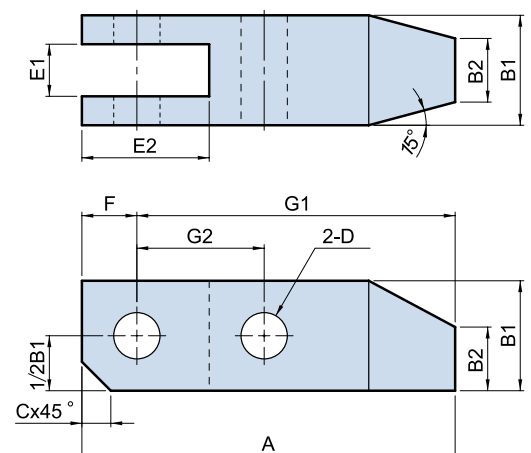
HLC 槓桿式油壓缸壓板 HLC Hydraulic lever-type cylinder clamping arm



Dimensional table

UNIT:mm

MODEL		HLC-25	HLC-32	HLC-40	HLC-50	HLC-63
A	A 標準型 Standard type	64	64	77	90	110
	B 標準型 Standard type	64	64	77	90	110
	C 加長型 Extension type	100	100	110	130	-
	B1	□19	□19	□22.2	□25.4	□31.8
	B2	11	11	13	15	19
	C	5	5	6	7	9
	D	ø8	ø8	ø10	ø12	ø15
	E1	9	9	10	11	15
	E2	21.5	21.5	25	29	36
	F	9	9	11	13	16
	G1	55	55	66	77	94
	G2	22	22	26	30	36



ARM 轉角缸壓板 TS 錐度套 Taper sleeve



Swing Cylinder Clamping Arm TS

提供錐度套與壓板加工尺寸表，解決壓板需自行製做無法車錐度的困擾。
材質: 錐度套SCM440, 壓板S45C

The table below shows the machining sizes for taper sleeves and clamping plates, which can solve the problem of unable to turn taper sleeves by customers.

MATERIAL: Taper sleeve(SCM440), Clamping plate(S45C)

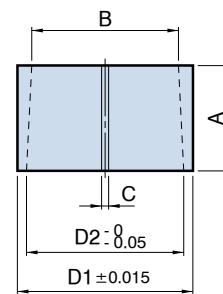
轉角缸壓板錐度套尺寸表

Clamping plates & taper sleeves size table for swing cylinder

Dimensional table

UNIT:mm

MODEL	ITEM	A	B	C	D1	D2
HSC-25TS		13	ø16.7	1	ø20	ø18
HSC-32TS		14	ø18.6	1	ø22	ø20
HSC-40TS		15	ø20.9	1	ø25	ø22.4
HSC-50TS		16	ø26.4	1	ø31	ø28
HSC-63TS		18	ø33.2	1	ø39	ø35
HPS-25TS		10	ø19	1	ø23	ø20
HPS-32TS		13	ø23.7	1	ø28	ø25
HPS-40TS		15	ø30.5	1	ø36	ø32
HPS-50TS		18	ø38.2	1	ø45	ø40
HPS-63TS		22	ø47.8	1	ø55	ø50



Bore Taper 1:10

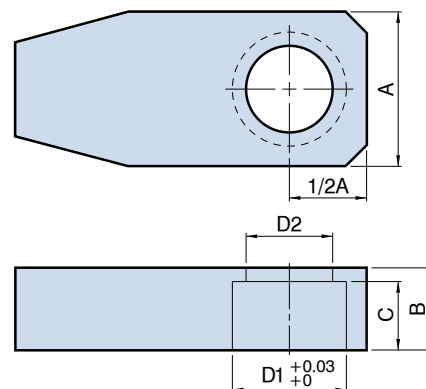
HSC 油壓轉角缸單邊壓板

HSC Hydraulic swing clamp cylinder single-side clamping arm

Dimensional table

UNIT:mm

MODEL	ITEM	HSC-25	HSC-32	HSC-40	HSC-50	HSC-63
A		28	31	34	40	50
B		15	17	18	20	23
C		13	14	15	16	18
D1		ø20	ø22	ø25	ø31	ø39
D2		ø15	ø17	ø19	ø21	ø27



HPS 高壓轉角缸單邊壓板

HPS High pressure swing clamp cylinder-single side clamping arm

Dimensional table

UNIT:mm

MODEL	ITEM	HPS-25	HPS-32	HPS-40	HPS-50	HPS-63
A		34	40	50	63	80
B		16	20	23	28	34
C1		10	13	15	18	22
C2		3.5	4	4	5	6
D1		ø23	ø28	ø36	ø45	ø55
D2		ø24	ø29	ø36	ø46	ø55
D3		ø19.6	ø24.4	ø31.4	ø39.2	ø48.8

